

TITLE: SPECIFICATION CONTROL DRAWING

PART IDENTIFIER: 54XX
(XX) DB VALUE

DESCRIPTION: HIGH POWER ATTENUATOR, BERYLLIA

ASSEMBLY DWG: 1700324

1.0 SPECIFICATIONS:

- 1.1 ELECTRICAL:
 - 1.1.1 IMPEDANCE: 50Ω NOMINAL.
 - 1.1.2 FREQUENCY RANGE: DC-2.5 GHZ.
 - 1.1.3 ATTENUATION VALUES AVAILABLE: 1-20DB IN 1DB INCREMENTS.
 - 1.1.4 ATTENUATION ACCURACY @ 1 GHZ: 1 - 10 DB, ±0.5 DB.
11 - 20 DB, ±1.0 DB.
 - 1.1.5 POWER DISSIPATION (MAX @ 100°C):
 - 1.1.5.1 AVERAGE: 20 WATTS.
 - 1.1.5.2 PEAK: 200 WATTS FOR 10US WIDTH @ 1% DUTY CYCLE.
 - 1.1.6 VSWR: DC - 1 GHZ - 1.15 MAX.
1.1 - 2.5 GHZ - 1.35 MAX.
- 1.2 MECHANICAL:
 - 1.2.1 OUTLINE DWG: SEE SHEET 2.
- 1.3 ENVIRONMENTAL:
 - 1.3.1 TEMPERATURE RANGE:
 - 1.3.1.1 STORAGE: -65°C TO +150°C.
 - 1.3.1.2 OPERATING: -55°C TO +150°C.

2.0 UNIT MARKING: "EMCT AND PART ID"
LEGIBILITY AND PERMANENCY PER MIL-STD-130.

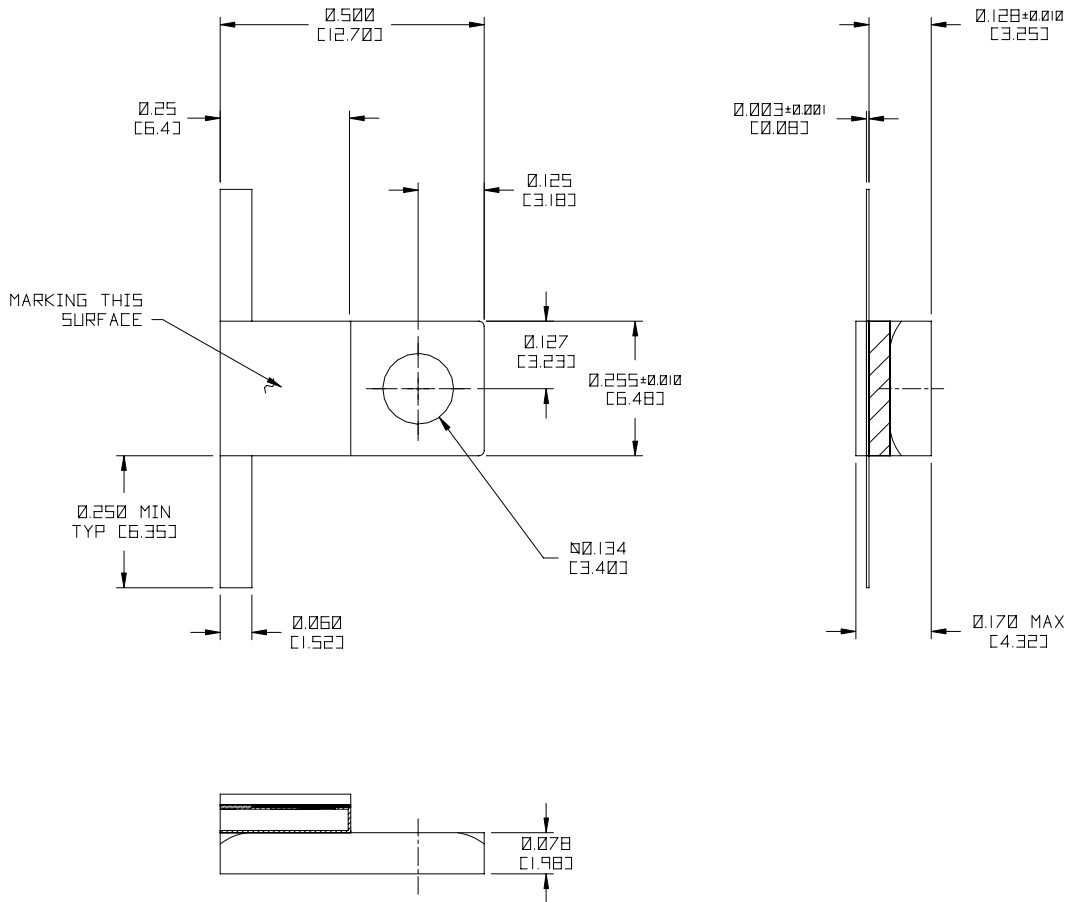
3.0 QUALITY ASSURANCE:

- 3.1 SAMPLE INSPECT PER ANSI/ASQC Z1.4, GENERAL INSPECTION, LEVEL II, AQL=1.0.
 - 3.1.1 VISUAL AND MECHANICAL EXAMINATION FOR CONFORMANCE TO MIL-PRF-55342 AND CONTROL DRAWING REQUIREMENTS.
- 3.2 INSPECTION IN ACCORDANCE WITH QA0006 AND FORM0357 FOR COMMERCIAL GRADE PRODUCT.
- 3.3 DATA REQUIREMENTS:
 - 3.2.1 NO TEST DATA REQUIRED FOR CUSTOMER.
 - 3.2.2 DATA RETENTION – 24 MONTHS.

4.0 PACKAGING: STANDARD PACK PER MC0023.

EMC TECHNOLOGY 8851 SW OLD KANSAS AVE. STUART, FL 34997	CAGE CODE # 24602		DWG #	100115000
	CHANGE NOTICE	EN06-E0112	REV LVL	F
			SHEET	1 OF 2

PART ID	REF
5400	



MECHANICAL SPECIFICATIONS:

CHIP:
 MATERIAL - BERYLLIA, ASTM F356.
 TOP PLATE:
 MATERIAL - ALUMINA, MIL-I-10.
 TABS:
 MATERIAL - BRASS, ASTM B36.
 FINISH - GOLD, MIL-G-45204, TYPE II, CLASS I.
 HEAT SINK:
 MATERIAL - COPPER, ASTM B187.
 FINISH - NICKEL, QQ-N-290.
 ALLOW ±0.010 ON TOP PLATE FOR MISALIGNMENT.

METRIC EQUIVALENTS GIVEN IN [MM]
 FOR REFERENCE INFORMATION ONLY



EMC
Technology
 8851 SW OLD KANSAS AVE
 STUART, FL 34997
 PHONE NO. (772)286-9300
 FAX NO. (772)283-5286

UNLESS OTHERWISE SPECIFIED DIMENSIONS ARE IN INCHES

TOLERANCES	
FRACT	---
ANG	---
XX	+0.01
XXX	+0.005
XXXX	---

THESE DRAWINGS AND SPECIFICATIONS ARE THE PROPERTY OF EMC TECHNOLOGY INC AND SHALL NOT BE DUPLICATED OR USED AS BASIS FOR THE MANUFACTURE OR SALE OF PARTS OR DEVICES WITHOUT PERMISSION.

CAGE CODE	SCALE	DRAWN BY	CHECKED BY	APPROVED BY
24602	1:1	BM 2/13/06		DAR 2/21/06
REV	CHANGE NOTICE	DRAWING NO	SHEET	
F	EN 06-E0112	1001155000	2 OF 2	