

TITLE: SPECIFICATION CONTROL DRAWING

PART IDENTIFIER: HPCA54XX.00W3
(XX) DB VALUE

DESCRIPTION: HIGH POWER ATTENUATOR, BERYLLIA

ASSEMBLY DWG: 1901444

1.0 SPECIFICATIONS:

1.1 ELECTRICAL:

- 1.1.1 IMPEDANCE: 50Ω NOMINAL.
- 1.1.2 FREQUENCY RANGE: DC-2.5 GHZ.
- 1.1.3 ATTENUATION VALUES AVAILABLE: 1-10DB AND 20DB.
- 1.1.4 ATTENUATION ACCURACY @ 1 GHZ: 1 - 10 DB, ±0.5 DB.
20 DB, ±1.0 DB.
- 1.1.5 INPUT POWER: 20 WATTS CW.
 - 1.1.5.1 FULL RATED POWER TO 100°C, DERATED LINEARLY TO 0 WATTS AT 150°C.
 - 1.1.5.2 PEAK POWER, 100 WATTS FOR 10US PULSE WIDTH @ 1% DUTY CYCLE.
- 1.1.6 VSWR: DC - 1 GHZ - 1.15 MAX.
1 - 2.5 GHZ - 1.35 MAX.

1.2 MECHANICAL:

- 1.2.1 OUTLINE DWG: SEE SHEET 2.
- 1.2.2 WORKMANSHIP: PER MIL-PRF-55342.

1.3 ENVIRONMENTAL:

- 1.3.1 TEMPERATURE RANGE:
 - 1.3.1.1 STORAGE: -65°C TO +150°C.
 - 1.3.1.2 OPERATING: -55°C TO +150°C.

2.0 UNIT MARKING: DB VALUE.
LEGIBILITY AND PERMANENCY PER MIL-STD-130.

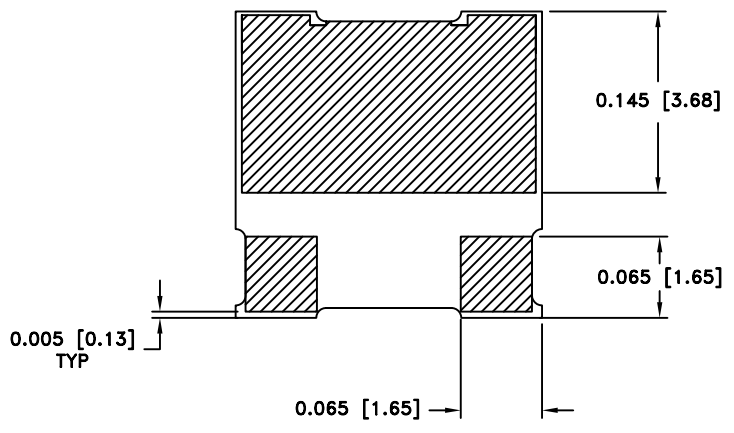
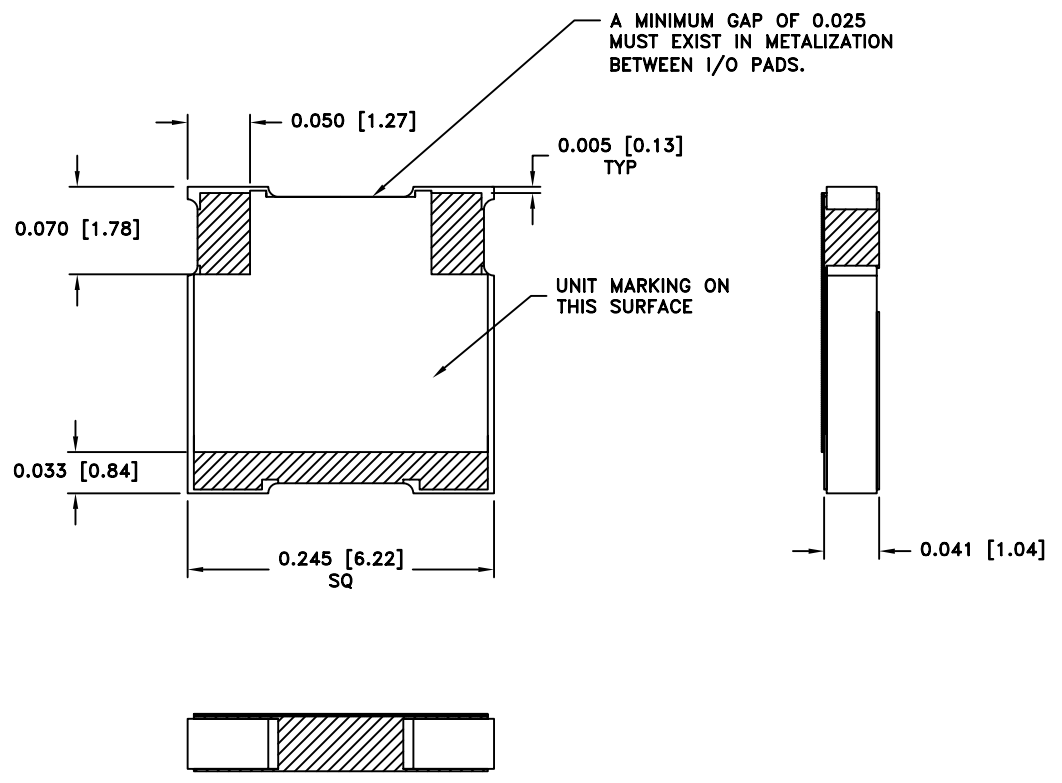
3.0 QUALITY ASSURANCE:

- 3.1 SAMPLE INSPECT PER ANSI/ASQC Z1.4, GENERAL INSPECTION, LEVEL II, AQL=1.0.
 - 3.1.1 VISUAL AND MECHANICAL EXAMINATION FOR CONFORMANCE TO OUTLINE DWG REQUIREMENTS.
- 3.2 PERFORM INSPECTION IN ACCORDANCE WITH QA0006 AND FORM0357 FOR COMMERCIAL GRADE PRODUCT.
- 3.3 DATA REQUIREMENTS:
 - 3.3.1 NO TEST DATA REQUIRED FOR CUSTOMER.
 - 3.3.2 DATA RETENTION - STANDARD.

4.0 PACKAGING: STANDARD BULK PACK PER 755W002.

EMC TECHNOLOGY 8851 SW OLD KANSAS AVE STUART, FL 34997	CAGE CODE # 24602		DWG #	1009125000
	CHANGE NOTICE	EN 08-E0776	REV LVL	C
			SHEET	1 OF 2

PART ID REF
HPCA54XX.XXW3




MECHANICAL SPECIFICATIONS:

SUBSTRATE:
MATERIAL - BERYLLIA, ASTM F356.

TERMINAL:
MATERIAL - THICK FILM, NICKEL BARRIER, SOLDER PLATED.

RESISTIVE ELEMENT:
MATERIAL - THICK FILM.

METRIC EQUIVALENTS IN [mm] ARE FOR REFERENCE INFORMATION ONLY

 8851 SW OLD KANSAS AVE STUART, FL 34997 PHONE NO. (772)286-9300 FAX NO. (772)283-5286	UNLESS OTHERWISE SPECIFIED DIMENSIONS ARE IN INCHES TOLERANCES FRACT --- ANG --- XX --- XXX ±0.005 XXXX ---	THESE DRAWINGS AND SPECIFICATIONS ARE THE PROPERTY OF EMC TECHNOLOGY INC AND SHALL NOT BE DUPLICATED OR USED AS BASIS FOR THE MANUFACTURE OR SALE OF PARTS OR DEVICES WITHOUT PERMISSION.				
	CAGE CODE 24602	SCALE 10:1	DRAWN BY JG 10/13/03	CHECKED BY	APPROVED BY	
	REV C	CHANGE NOTICE EN 08-E0776	DRAWING NO 1009125000	SHEET 2 OF 2		